

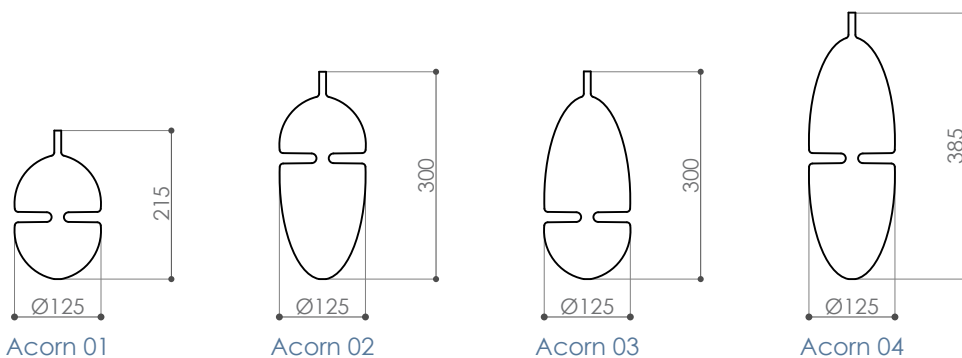
melogranoblu

HYDRA ACORN glass

design E. Rocchi & M. Crema - 2015

DESCRIZIONE	Hydra system hand blown glass pendant
Environment:	Indoor
Mounting:	Suspension with metallic mesh cord or with steel cable
Body:	Frosted or transparent ruled hand blown glass
Weight:	280 g (01), 400 g (02), 400 g (03), 560 g (04)

dimensions in mm



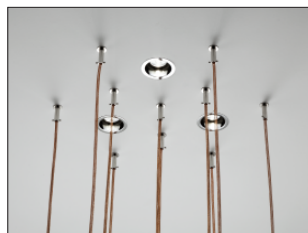
melogranoblu

LIGHT SOURCE USABLE

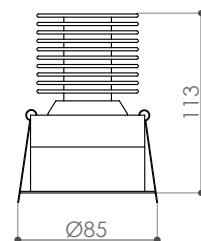
IP20   CE **LED**

↳ *INDIRECT LIGHT_ outer glass source*

↳ RECESSED (only with false ceiling)



Recessed LED spotlight 10W, 24Vdc, 2700 K cri93 optic 6° circular body ø 85 mm.

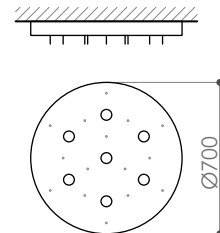


↳ CEILING

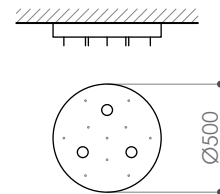
↳ standard dimensions:



Round ceiling LED Ø 70 cm varnished or nikel plate 7 x 10W LED dimmable, 2700 K optic 10°. 15 fixing supports for metallic mesh cords.



Round ceiling LED Ø 50 cm varnished or nikel plate 3 x 10W LED dimmable, 2700 K optic 10°. 10 fixing supports for metallic mesh cords.



↳ custom: melogranoblu can design and product custom ceilings

melogranoblu

HANGING SYSTEMS

→ METALLIC MESH CORD Ø 8mm



- #T11 Red
- #T39 Orange
- #T26 Gold
- #T36 Purple
- #T35 Wistaria
- #T12 China Blue
- #T08 Titanium
- #T00 Copper
- #T20 Brown
- #T07 Silver
- #T21 Black

→ STEEL CABLE Ø 0,6 mm

The steel cable hanging system does not allow to use the inner glass light source.

